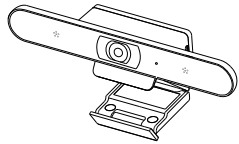
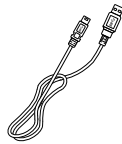


USB Camera Quick Installation Guide

1. Package Contents



USB Camera

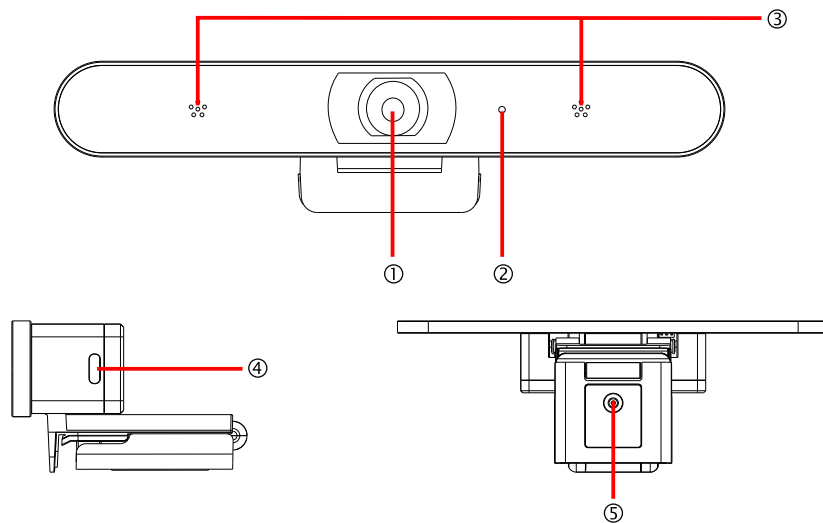


USB 3.0 Cable



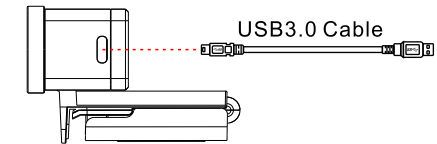
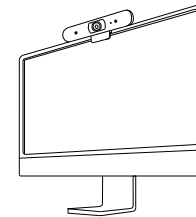
Remote Control

2. Introduction of Product Functions



No.	Item	Function Descriptions
1	Lens Modules	8.5 megapixels, 4K wide-angle lens
2	LED Indicator	Display light signals based on the camera status
3	Microphone	Capture sound while filming
4	USB 3.0 Type C Port	Connect to a computer for power
5	Tripod deck lock hole	1/4" lock hole for mounting the camera

3. Connecting the Product



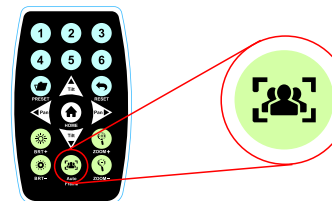
- Place the camera on top of the screen and adjust the bracket to install the camera on the screen.
- Connect one end of the USB to the camera and the other end to the computer. The camera driver will be installed in the computer automatically.

4. View the camera image

- Please download Lumens USB PTZ Camera Controller software from the Lumens website for installation in order to view images and control the camera.
<https://www.MyLumens.com/support>
- Furthermore, use free video capture tools AMCap, PotPlayer, VLC to view the images.
- The factory default setting for the output resolution is 1920x1080.



5. Enable the smart viewfinder function



- The smart viewfinder function adopts Auto-Framing Technology. The camera can automatically detect positions of human bodies according to change in number of people on the spot, and position people in the center of the image in order to display the best image and enhance the meeting effectiveness.
- Press the Auto Frame button on the remote control to enable/disable the smart viewfinder function.