

# DC170 Quick Start Guide

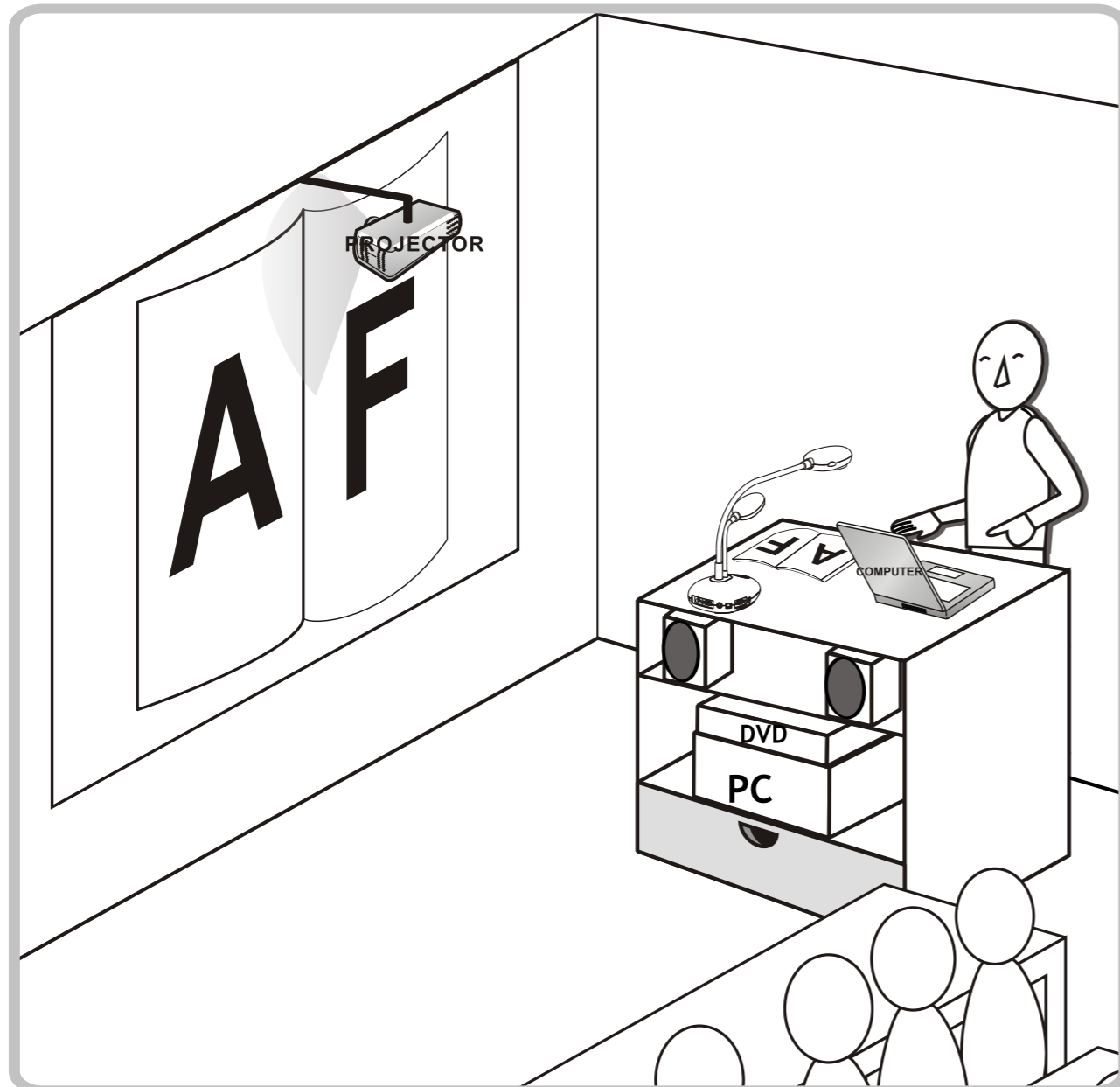
## ⚠ Important

\* Please activate your warranty at [www.MyLumens.com/reg](http://www.MyLumens.com/reg)

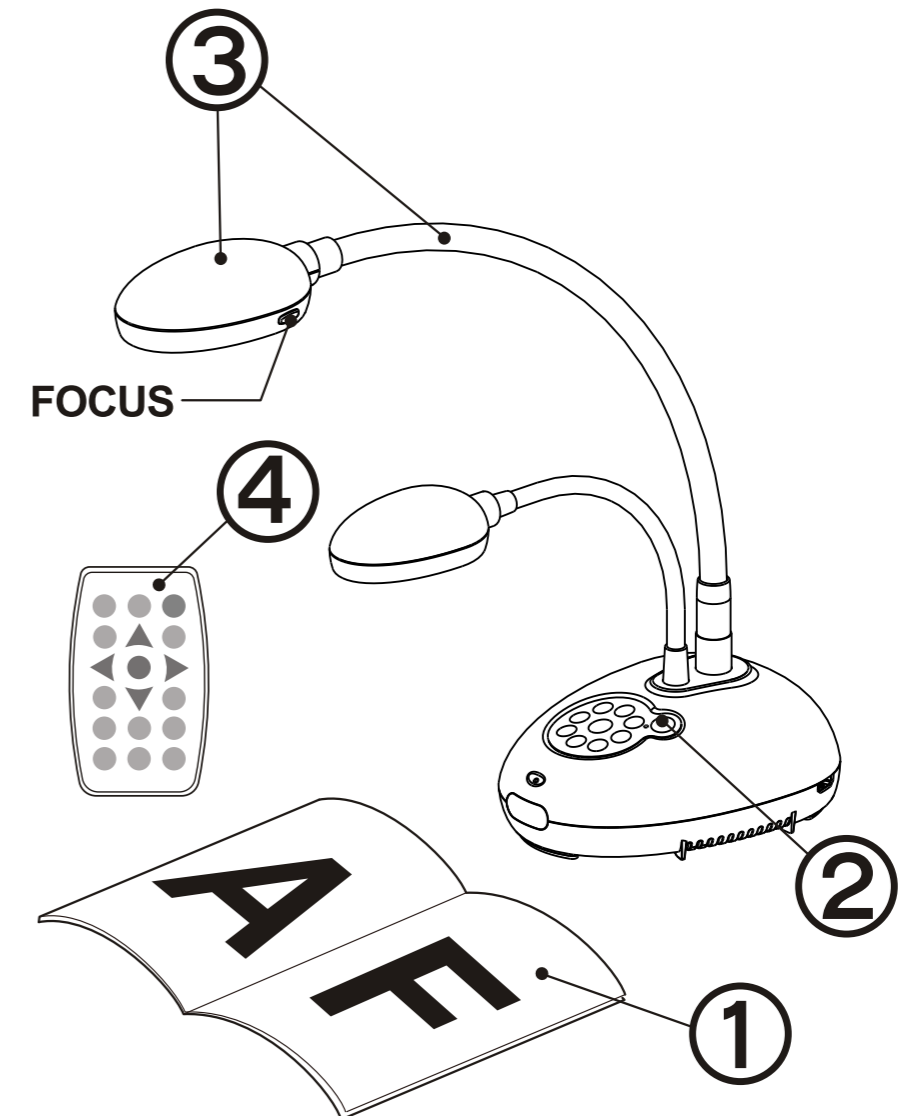
\* Please visit our website [www.MyLumens.com/goto.htm](http://www.MyLumens.com/goto.htm) to download latest version of Software, Multilingual User Manual and Quick Start Guide.



## User Condition

\* For the installation instruction, please refer to the [2. Installation & Connectoin](#) on the rear side.



## 1. Getting Started

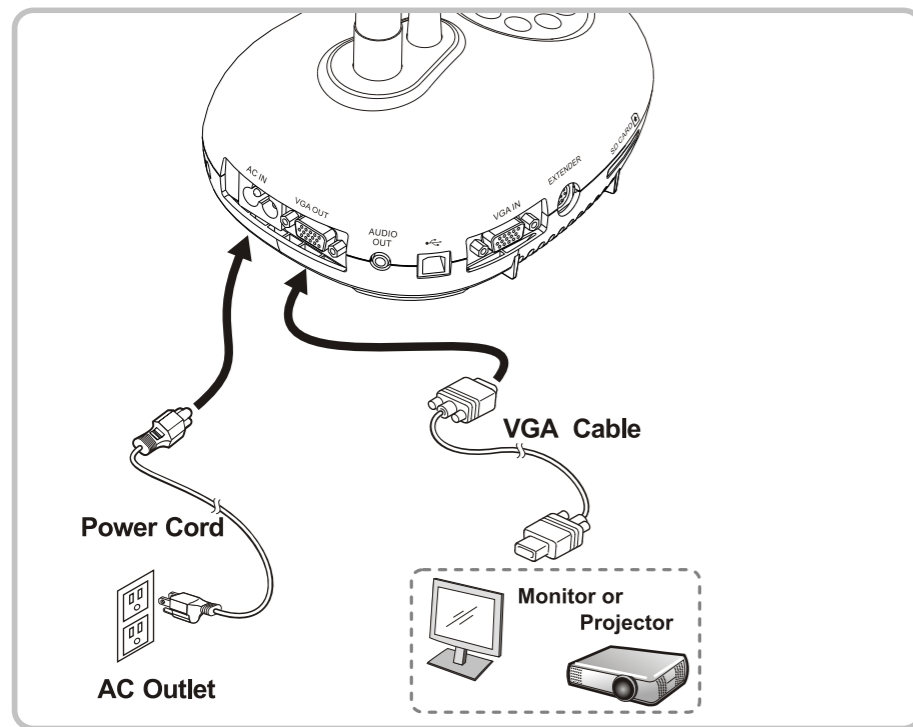


- ① Place an object to be displayed under the camera.
- ② Turn the power on. 
- ③ Adjust the gooseneck and lens to appropriate position.
- ④ Press the [ AUTO TUNE ]  button to optimize the image. You are ready to teach / present.

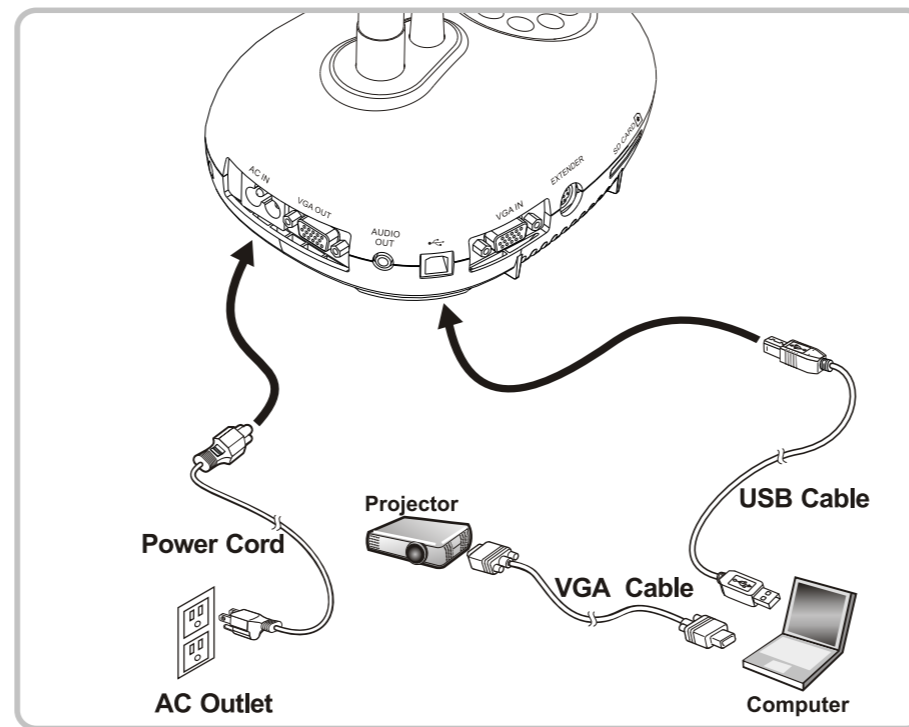
\* Each time the camera head is moved, press the [ FOCUS ] button to refocus the lens.

## 2. Installation & Connection

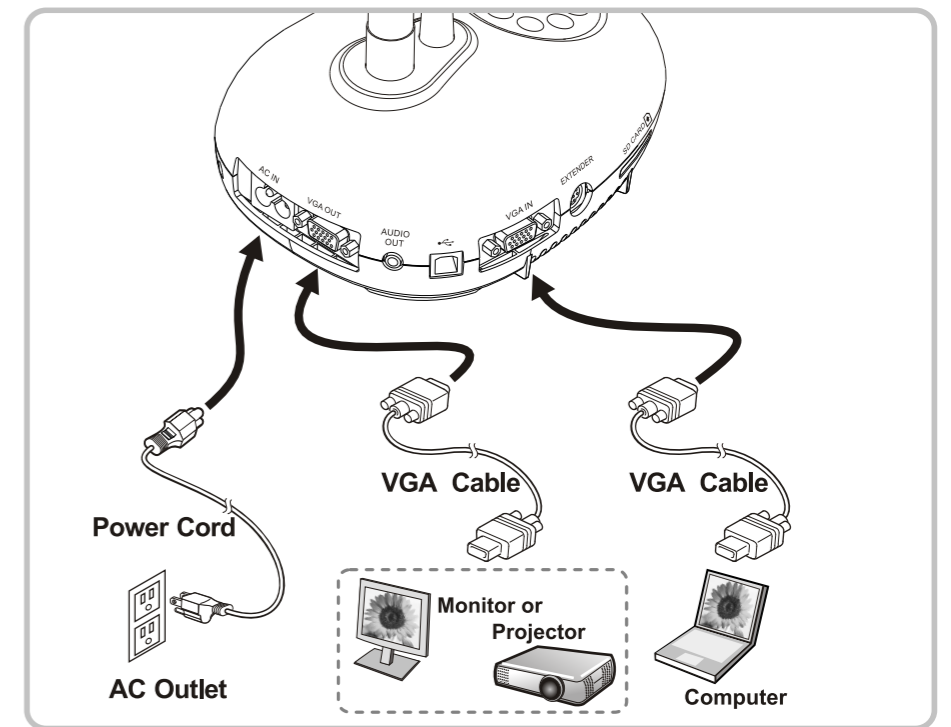
### ▼ Connect to a Projector or Monitor



### ▼ Connect to a Computer and Use Lumens' Software



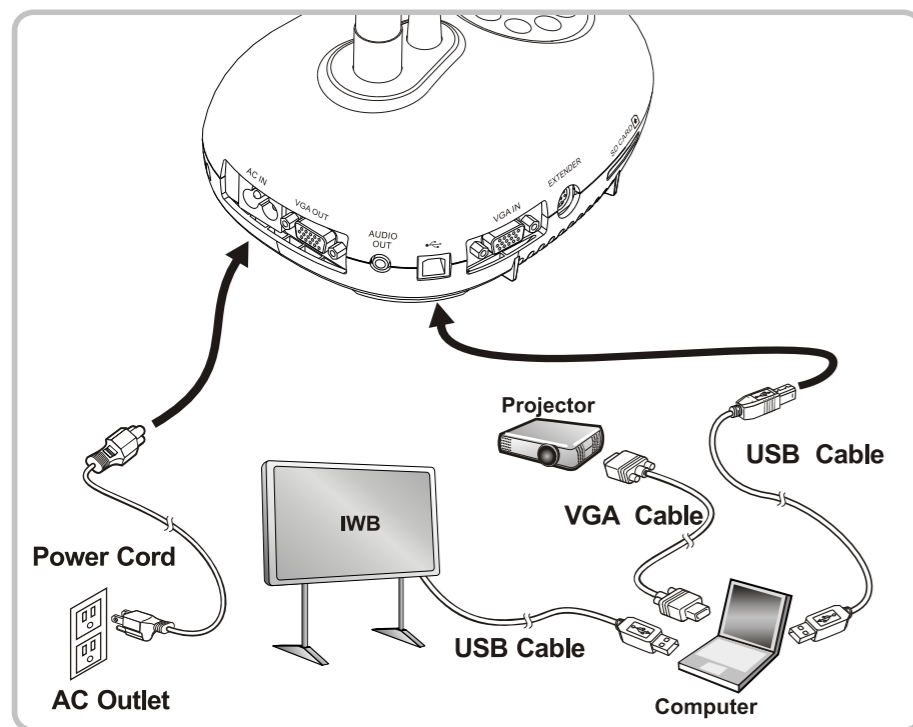
### ▼ Connect a Computer, Projector or Monitor simultaneously



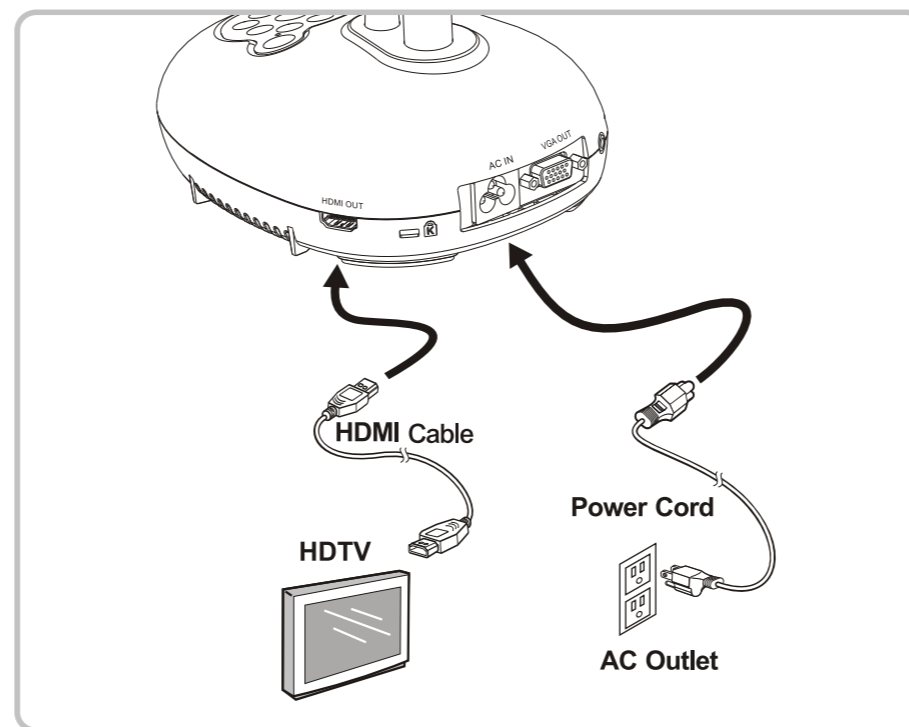
\* Driver and software can be downloaded from Lumens website.

\* Press [ SOURCE ] button to switch the image source.

### ▼ Connect to an Interactive Whiteboard (IWB)



### ▼ Connect to an HDTV



### ▼ Connect to a Computer via RS232

