

DC136 Installation Guide

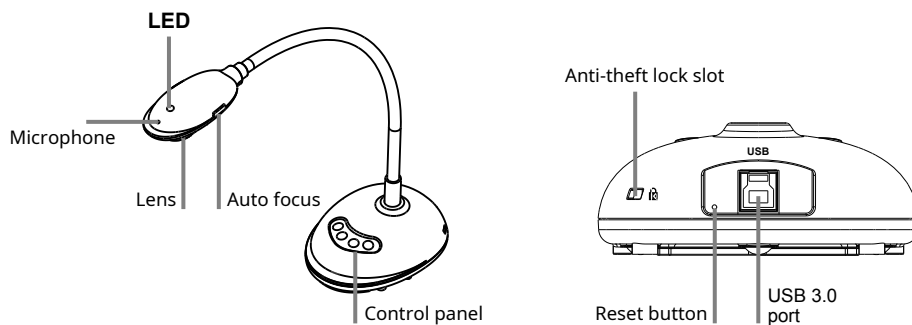
www.MyLumens.com

Lumens[®]

⚠ Important

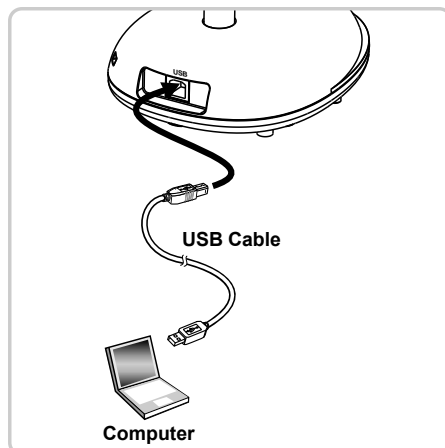
- * Please activate your warranty: www.MyLumens.com/reg .
- * To download the updated software, user guides, and Quick Start Guide, please visit Lumens web site at: www.MyLumens.com/support .

1. Product Overview

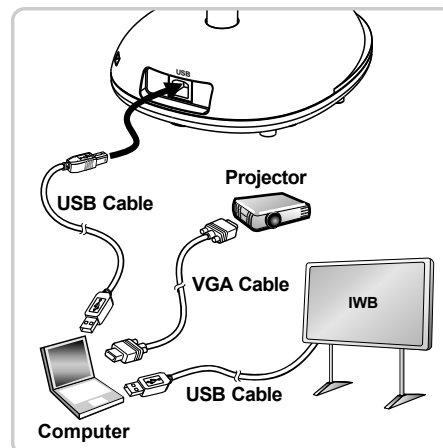


2. Installation and Connections

▼ Connecting to a computer

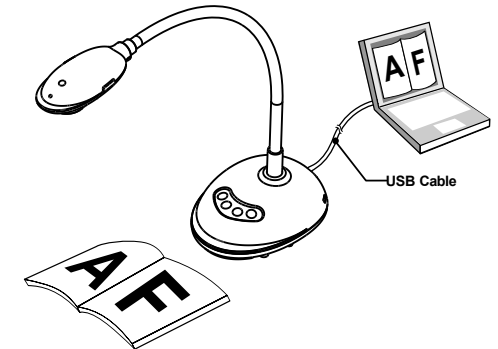
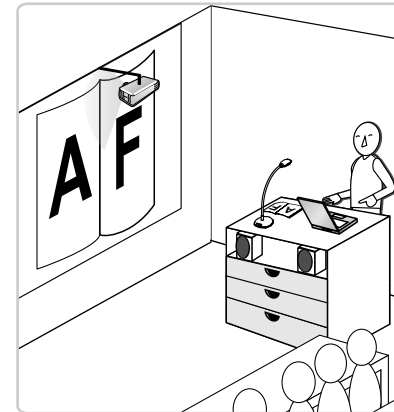


▼ Connecting to an Interactive Whiteboard (IWB)



⚠ Once the USB is connected to the computer, the power is ON.

3. Start Using

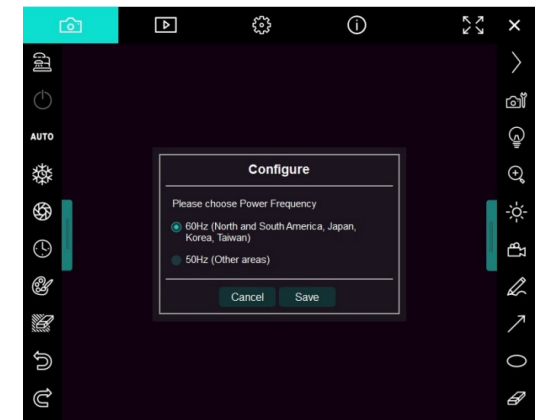


1. After installing Ladibug, double-click the icon to open the software to view the images and control DC136.

* POWER Frequency setting page will display during the first use, please complete the settings following the instructions on the screen.

For Windows: 

For MAC: 



2. Place an object to be displayed under the camera.

3. Press **AUTO** button to optimize the image.

4. You are ready to teach/present.

*Please download Ladibug software from Lumens website.

*When connected to a computer via a USB cable, DC136 can also be used with video software, such as Skype and Zoom.