

PC193 Quick Start Guide

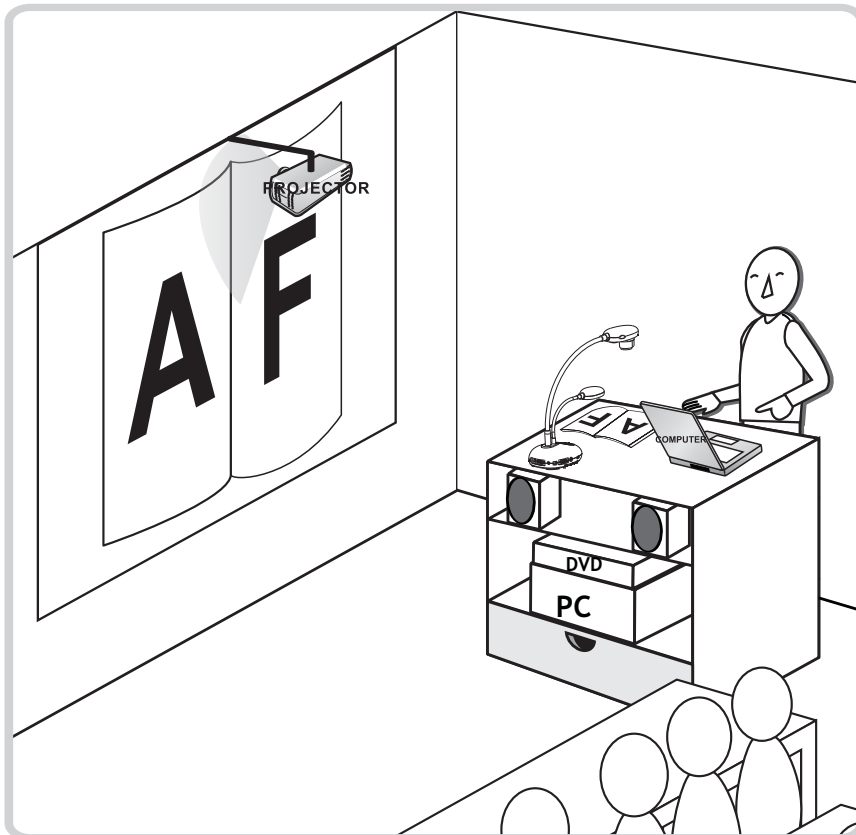
⚠ Important

* Please activate your warranty at www.MyLumens.com/reg

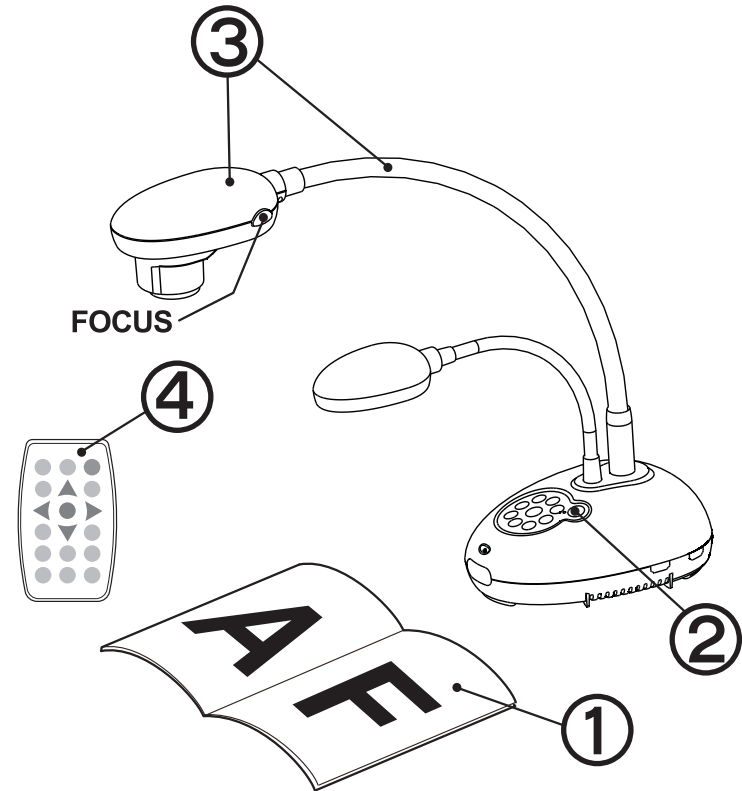
* Please visit our website www.MyLumens.com/goto.htm to download latest version of Software, Multilingual User Manual and Quick Start Guide.



User Condition

* For the installation instruction, please refer to the [2. Installation & Connectoin](#) on the rear side.



1. Getting Started

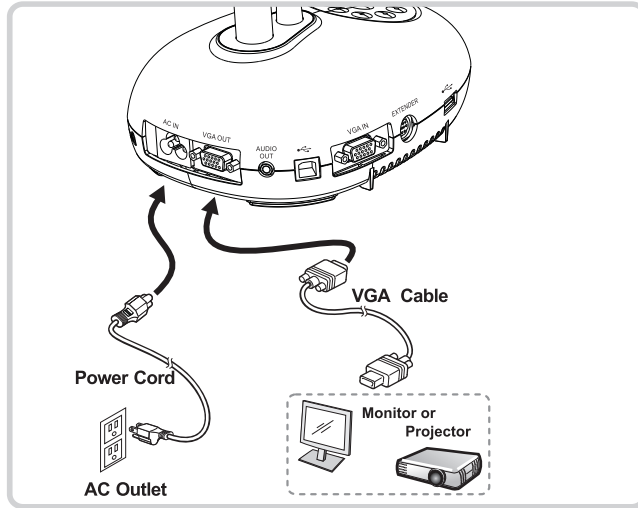


- ① Place an object to be displayed under the camera.
- ② Turn the power on. 
- ③ Adjust the gooseneck and lens to appropriate position.
- ④ Press the [AUTO TUNE]  button to optimize the image.
You are ready to teach / present.

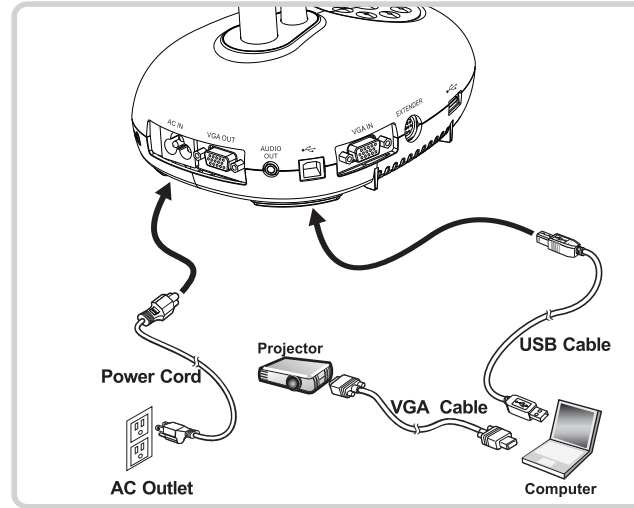
* Each time the camera head is moved, press the [FOCUS] button to refocus the lens.

2. Installation & Connection

▼ Connect to a Projector or Monitor

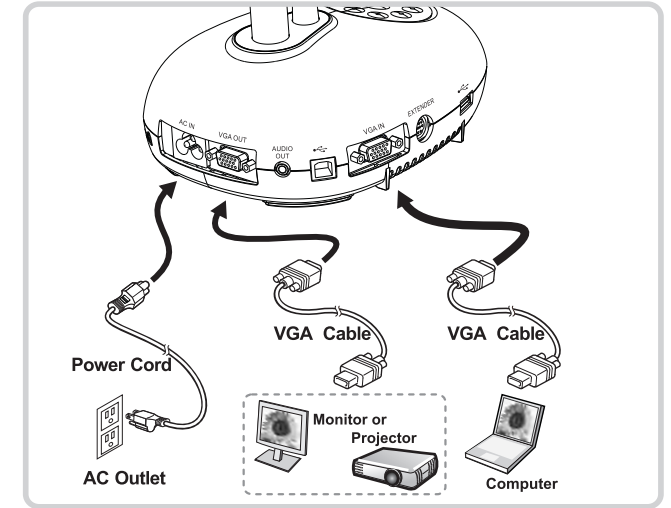


▼ Connect to a Computer and Use Lumens' Software



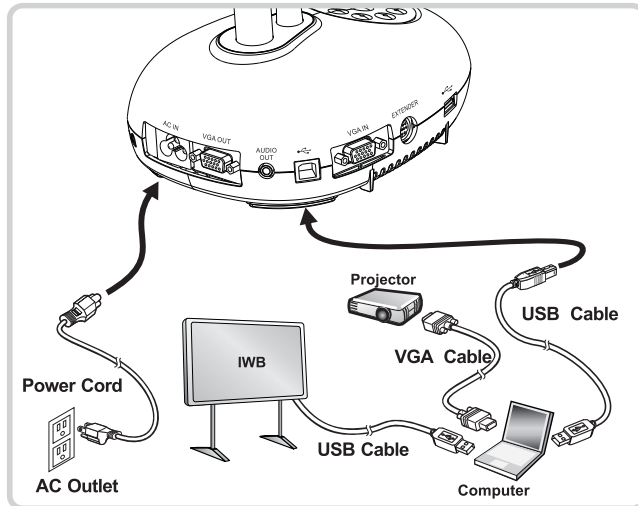
* Driver and software can be downloaded from Lumens website.

▼ Connect a Computer, Projector or Monitor simultaneously

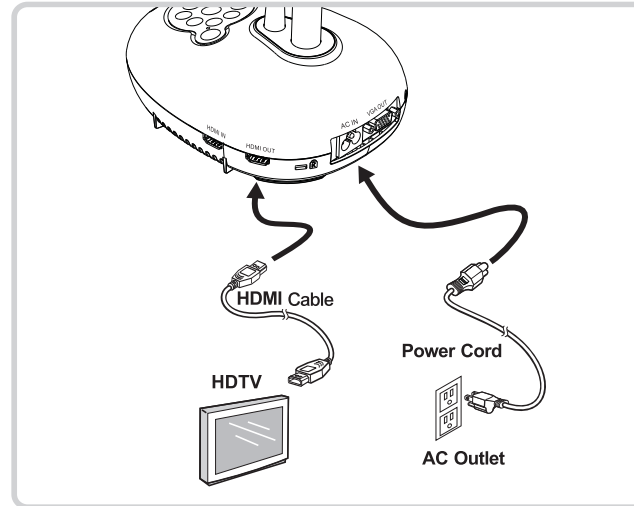


* Press [SOURCE] button to switch the image source.

▼ Connect to an Interactive Whiteboard (IWB)



▼ Connect to an HDTV



▼ Connect to a Computer and FLASH Disk

